

READ AND UNDERSTAND THESE INSTRUCTIONS BEFORE INSTALLING FIXTURE

This fixture is intended for installation in accordance with the National Electrical Code and local regulations. To assure full compliance with local codes and regulations, check with your local electrical inspector before installation. To prevent electrical shock, turn off electricity at fuse box before proceeding.

Retain these instructions for maintenance reference.

INSTRUCTION SHEET NO.

IS:1004ICV

B1204 Page 1 of 4

**INSTALLATION PROCEDURE FOR LOW VOLTAGE
INSULATED CEILING FRAME-IN-KIT 1004ICV, 1004ICVN**

NEW CONSTRUCTION

NOTE: I.C. Frame-in Kit may be used in direct contact with insulation.

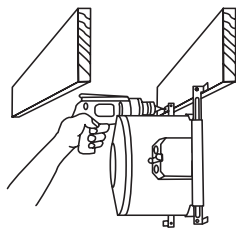


Fig. A
Frame-In

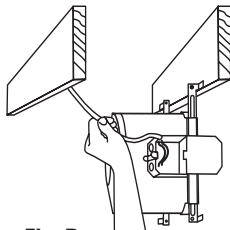


Fig. B
Wire-In

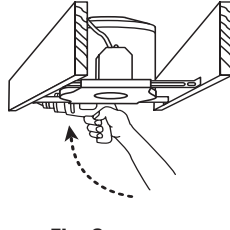


Fig. C
Swing-Up



Fig. D
Close-In

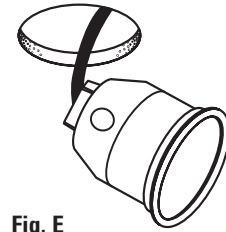


Fig. E
Snap-On

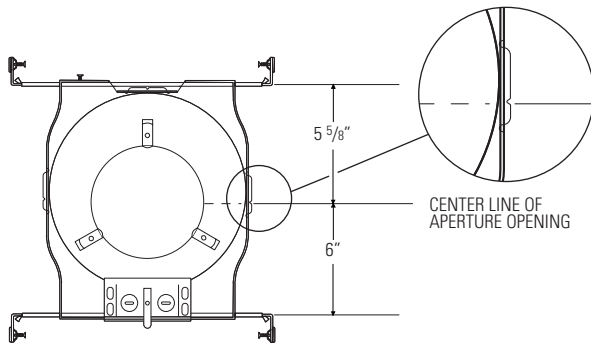


Fig. F
Push-Up

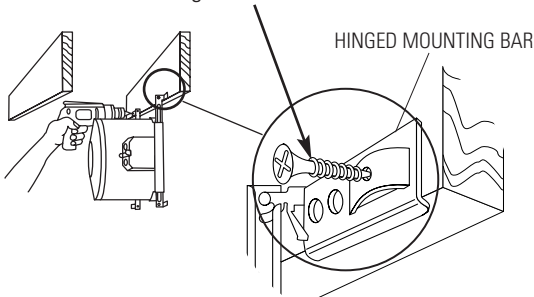
WARNING: USE ONLY WITH LIGHTOLIER REFLECTOR TRIMS MARKED WITH I.C. LAMPING INFORMATION. USE OF OTHER MANUFACTURERS' TRIMS VOIDS THE UNDERWRITERS LABORATORIES LISTING AND COULD CONSTITUTE A FIRE HAZARD

1. FRAME-IN (Fig. A)

Locate fixture along joist and line up bottom edge of HINGED MOUNTING BAR with the bottom of joist and fasten in place.

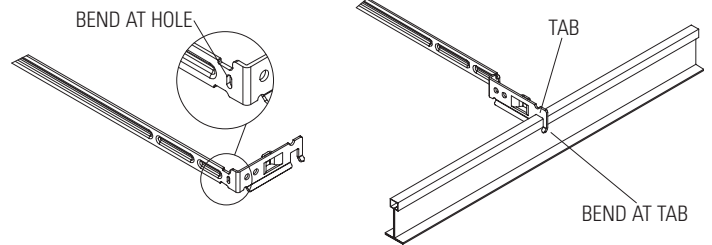


Note: Integral nail version available



FOR JOIST SPACING LESS THAN 16" ON CENTER (TO 12" ON CENTER):

- MOUNTING BAR CHANNELS can be shortened and used as nailing legs in tight spaces. Simply remove INNER BAR from holed CHANNEL, bend CHANNEL at appropriate point and use extra screw to secure it to the joist. (Fig. G)



For suspended ceilings:

- Rotate HINGED BAR ENDS to position shown and fully extend bars.
- Crimp bottom of edge of CHANNEL to prevent rotation of HINGED BAR ENDS.
- Bend NON-HINGED end of mounting bar at featured hole location and extend out.
- Position notched area of MOUNTING BARS onto T-BAR and lock by bending TAB underneath T-BAR BEAD as shown.
- For suspended ceiling, make certain that bottom of Mounting Frame is no higher than 1" above ceiling line.

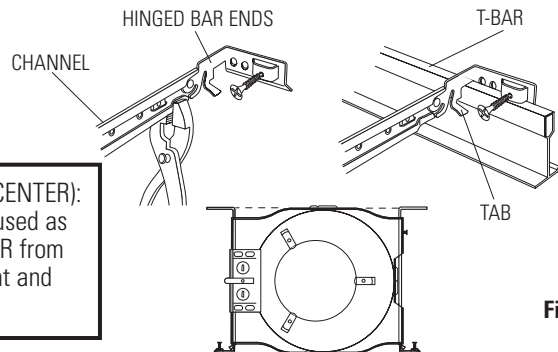


Fig. G

LIGHTOLIER®

LIGHTOLIER a GENLYTE company.

631 Airport Road, Fall River, MA 02720

READ AND UNDERSTAND THESE INSTRUCTIONS BEFORE INSTALLING FIXTURE

This fixture is intended for installation in accordance with the National Electrical Code and local regulations. To assure full compliance with local codes and regulations, check with your local electrical inspector before installation. To prevent electrical shock, turn off electricity at fuse box before proceeding.

Retain these instructions for maintenance reference.

INSTRUCTION SHEET NO.

IS:1004ICV

B1204 Page 2 of 4

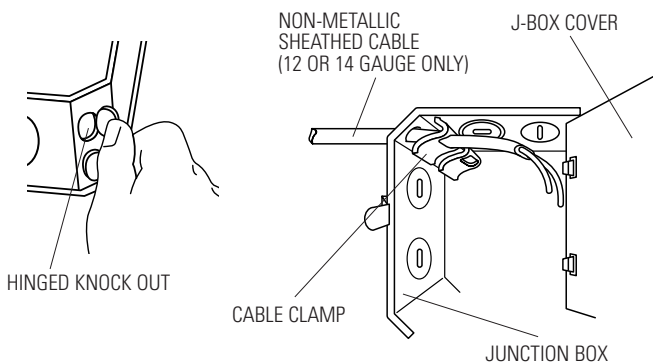
2. WIRE-IN (Fig. B)

Open hinged J-BOX COVER fully to its locked position (lift slightly to unlock).

Open hinged KNOCK OUT to allow NON-METALLIC CABLE to enter JUNCTION BOX. Push CABLE through CLAMP.

Note: Wiring and connections must not be placed in JUNCTION BOX in a manner which will interfere with the CLAMPS action to provide strain relief.

Wire to SUPPLY LEADS. WHITE FIXTURE LEAD to NEUTRAL SUPPLY LEAD. BLACK FIXTURE LEAD to HOT (120V) SUPPLY LEAD. BARE FIXTURE WIRE to SUPPLY GROUND. Use wirenuts (local hardware item). Place all electrical connections in the J-BOX and close the J-BOX COVER.

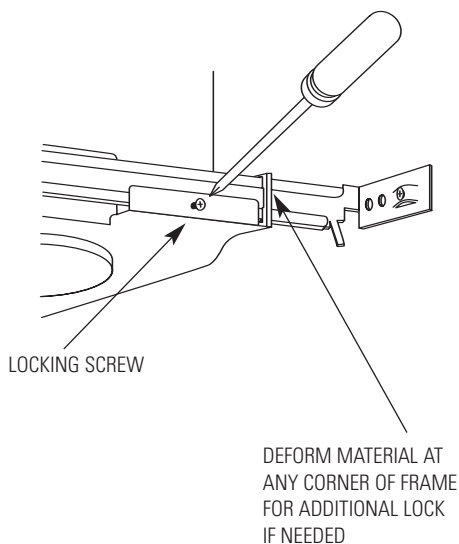


3. SWING-UP (Fig. C)

Extend MOUNTING BAR to reach opposite joist and fasten in place. Adjust fixture to desired position along MOUNTING BAR and lock in place using locking screw.

4. CLOSE-IN (Fig. D)

Install plasterboard or other dry type ceiling. Hole in board can be cut either on the floor or after the board is secured to the ceiling using MOUNTING FRAME opening as cutting guide. Make sure ROTO-CLIPS are rotated out of hole area to be cut, also making sure that socket and wiring are positioned away from hole area. Roto Clips can only be rotated counterclockwise. This detail allows easy removal of reflector trim by rotating TRIM counterclockwise and permits installing Reflector Trim tightly against the ceiling surface by rotating trim clockwise after pushing Trim into ceiling.



5. AIRSEAL® INSTALLATION (optional)

Install a bead of silicone caulking compound between the ceiling opening and edge of HOUSING. Housings are tested in accordance with ASTM E 283 (max 2 cfm @ 75 pa) and comply with WSEC & MEC when installed as instructed.

6. SNAP-ON (Fig. E)

Important - Insert SOCKET CUP in neck of REFLECTOR making sure SPRING TABS fully engage into SLOTS in REFLECTOR.

} SEE SEPARATE
REFLECTOR TRIM
INSTRUCTION
SHEETS

7. PUSH-UP (Fig. F)

Push REFLECTOR TRIM straight up until it is tight against ceiling.

U.S. AND FOREIGN PATENTS PENDING

LIGHTOLIER®

LIGHTOLIER a GENLYTE company.

631 Airport Road, Fall River, MA 02720

READ AND UNDERSTAND THESE INSTRUCTIONS BEFORE INSTALLING FIXTURE

This fixture is intended for installation in accordance with the National Electrical Code and local regulations. To assure full compliance with local codes and regulations, check with your local electrical inspector before installation. To prevent electrical shock, turn off electricity at fuse box before proceeding.

Retain these instructions for maintenance reference.

INSTRUCTION SHEET NO.

IS:1004ICV

B1204 Page 3 of 4

8. LAMPING (Fig. H)

1. Make sure that power is OFF when lamping or relamping. Remove LAMP RING from TRIM by pulling straight down.
2. Remove LAMP SHIELD from LAMP RING.
3. Place LAMP SHIELD on back of LAMP (MR-16) and insert both between LAMP SPRINGS until face of lamp sits firmly on GLASS LAMP GUARD (Fig. J).

WARNING: RISK OF FIRE. LAMP SHIELD MUST BE INSTALLED.

4. Attach SOCKET to bi-pin prongs on LAMP.
5. Insert LAMP RING with LAMP SHIELD, LAMP and GLASS LAMP GUARD back into TRIM.

Fig. H

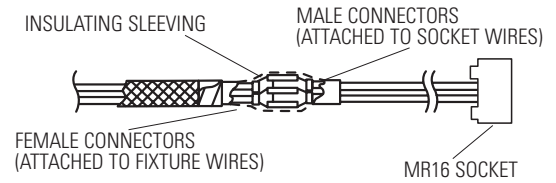
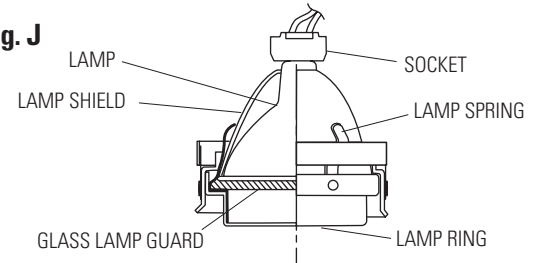


Fig. J



WARNING: 1. LAMP MANUFACTURERS REQUIRE THE GLASS LAMP GUARD BE IN PLACE BEFORE ENERGIZING LAMP, AND THAT GREAT CARE MUST BE TAKEN THAT LAMP IS FULLY COOLED BEFORE RELAMPING. AVOID FINGER MARKS ON INSIDE OF LAMP FOR THEY MAY CAUSE SHORT LAMP LIFE AND POSSIBLE BREAKAGE. 2. USE ONLY REFLECTOR TRIMS PROVIDED BY LIGHTOLIER INC. USE OF OTHER MANUFACTURER'S REFLECTOR TRIMS VOIDS THE UNDERWRITERS LABORATORIES LISTING AND COULD CONSTITUTE A FIRE HAZARD.

NOTE: 1. LOW VOLTAGE FIXTURES should be dimmed only with special dimmers intended specifically for that purpose. Use Lightolier Lytemode, Scenist, Crescendo VA, Neptune VA, Precision VA, Easyset VA, Sunrise VA, Radiant VA or equivalent products by others or variable autotransformers or electronic dimmers intended for use with low voltage fixtures.
2. Low voltage fixtures may produce audible sound which may be objectionable in acoustically critical areas.

LIGHTOLIER®

LIGHTOLIER a GENLYTE company.

631 Airport Road, Fall River, MA 02720

READ AND UNDERSTAND THESE INSTRUCTIONS BEFORE INSTALLING FIXTURE

This fixture is intended for installation in accordance with the National Electrical Code and local regulations. To assure full compliance with local codes and regulations, check with your local electrical inspector before installation. To prevent electrical shock, turn off electricity at fuse box before proceeding.

Retain these instructions for maintenance reference.

INSTRUCTION SHEET NO.

IS:1004ICV

B1204 Page 4 of 4

9. TRANSFORMER REPLACEMENT (Fig. K)

1. Make sure power is off.
2. Remove REFLECTOR TRIM from ceiling.
3. Remove SCREW and lift TRANSFORMER off bracket.
4. Remove J-BOX COVER by removing wing nut.
5. Unsplice primary leads in J-BOX.
6. Remove primary leads from J-BOX cover and clip attached to side of housing.
7. Cut secondary (red) leads 6" to 8" from TRANSFORMER and discard faulty transformer.
8. Install new TRANSFORMER:

(WARNING: RISK OF FIRE. Transformer contains fixture thermal protector. Replace as shown and described below. Use only replacement transformer obtained from LIGHTOLIER.)

- a. Splice secondary (red) leads to socket leads.
- b. Attach TRANSFORMER to BRACKET with SCREW, making sure that the side of transformer that has the wire leads is facing the housing wall (Fig.L)
- c. Put primary leads through clip and bushing in the J-BOX COVER.
- e. Wire primary leads to supply leads.
- f. Replace J-BOX COVER.
- g. Install REFLECTOR TRIM.

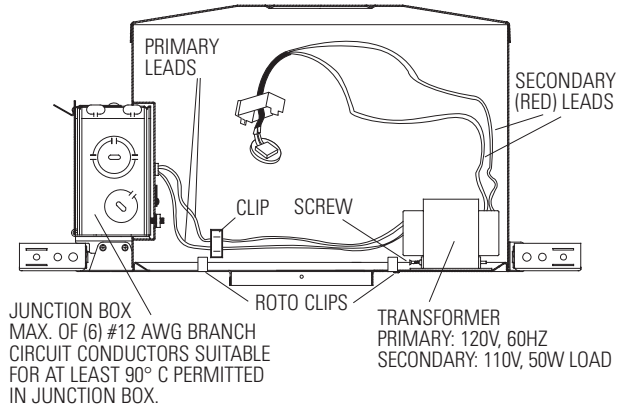


Fig. K

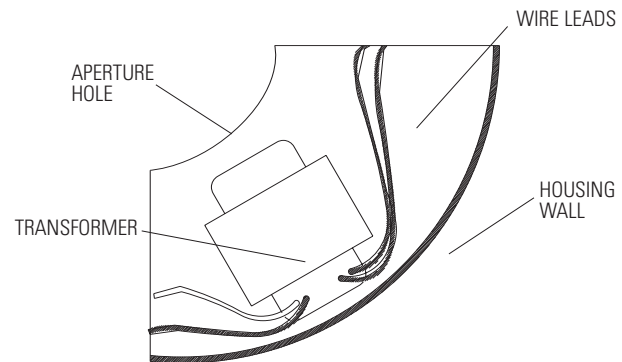


Fig. L

LIGHTOLIER®

LIGHTOLIER a GENLYTE company.

631 Airport Road, Fall River, MA 02720